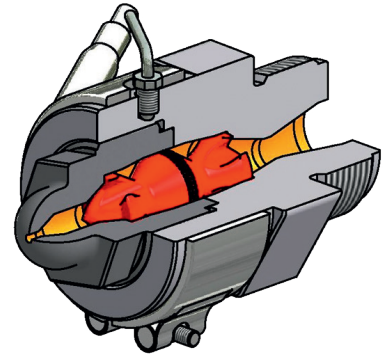


torpedo filtersystem for technical and reinforced material

OFS-FILTERNOZZLE TYPE S

That **OFS**-filternozzle is well suitable for technical and reinforced material and shows particular good properties at frequent changes of colour and material.



APPLICATION FIELDS:

The **OFS**-filternozzle type S is highly suitable for processing all technical plastic materials. The nozzle is particularly suitable when frequent changes of color and material are carried out. Because of the optimally rheological design, the nozzle is also suitable for reinforced materials. But for reinforced materials, we recommend special coatings. The coatings counteract the abrasive and corrosive attacks of the reinforced materials and increase the life span of the filternozzle.

CLEANING EFFORT:

very simple cleaning
(screw out and screw in of parts)

FILTRATION GAPS:

filtertorpedos with filtration gap $S = 0.25, 0.3, 0.4, 0.6, 0.8, 1.0, 1.2, \dots$ mm are available

HANDLING:

1. Lift of aggregate.
2. Spray off.
3. Pressure relief (move back the screw).

4. Screw out nozzlehead (ring spanner is included in the delivery).
5. Take out filtertorpedo.
6. If necessary, remove remaining material carefully.
7. Install the changing-set (nozzlehead and filtertorpedo) and tighten it (handle thread with heat resistant molycote).
8. Start again injection moulding process.
9. Clean changing-set (nozzlehead and filtertorpedo) for next cleaning-process.

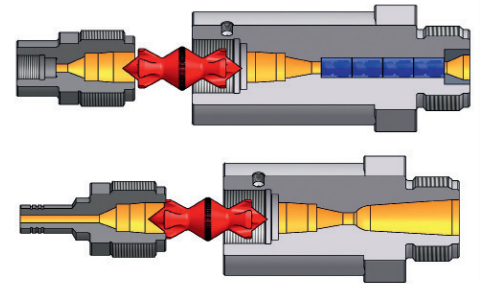
SHOT WEIGHTS:

The possible shot weight is dependent on the material, the filtration gap and the injection time. The **OFS**-filternozzle type S is offered in five sizes. As a clue, the following datas can be used (filtration gap $S = 0.6$ mm and material PS)

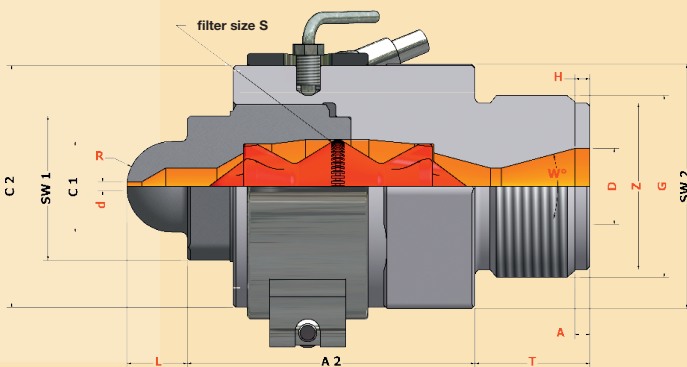
- Type SI → ca. 150 g
- Type SII → ca. 500 g
- Type SIII → ca. 1.200 g
- Type SIV → ca. 2.500 g
- Type SV → ca. 4.000 g

MORE OPTIONS:

- ▶ with shut-off function
- ▶ nozzlehead with dip nozzle
- ▶ nozzlehead with interior thread
- ▶ nozzlebase with needle seat
- ▶ with mixing insert etc.

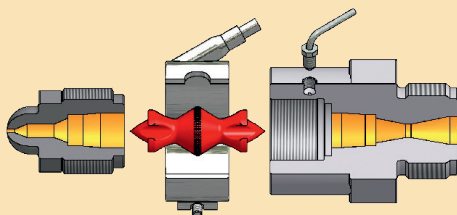


OFS-filternozzle type S optional with interior thread, mixing insert, needle seat and dip nozzle.

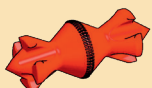


DATA AND STANDARD DIMENSIONS (mm)

		SI	SII	SIII	SIV	SV
possible shot weight	gr.	150	500	1.200	2.500	4.000
max. injection pressure	bar	3.000	3.000	3.000	3.000	3.000
length	A2	75	96	127	154	198
nozzlehead dia	C1	30	30	40	40	60
nozzlebase dia	C2	60	80	100	110	130
hexagon nozzlehead	SW1	32	46	60	60	80
hexagon nozzlebase	SW2	60	80	90	90	100



OFS-filternozzle type S „components“



OFS-filtertorpedo type S / SR

REQUIRED MEASUREMENTS

machine thread	G	
T/A/D/Z/W°/H		specify if required
filtration gap	S	
length of nozzlehead	L	
drill	d	
radius / surface	R	

REQUIRED PARAMETERS

material (MFI)		
shot weight	gr.	
melt temperature	°C	
injection time	sec	
injection pressure spec.	bar	
machine type		
screw dia	mm	